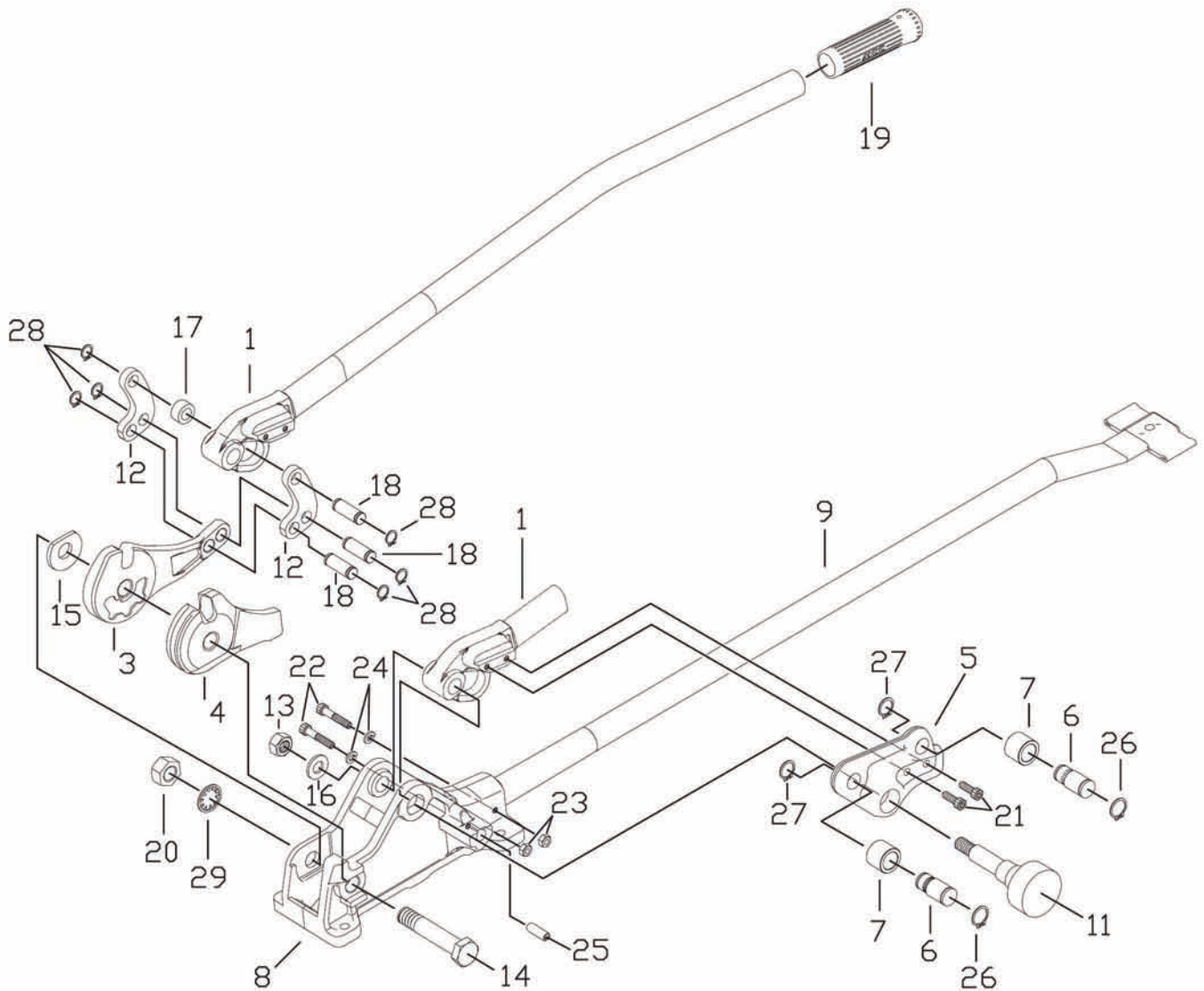


No.	Parts
2	Pipe Handle
3	Jaw Blade(L)
4	Jaw Blade(S)
5	Jaw Bolt
6	Hex Nut
7	Washer
9	Base
10	Base Handle with Pedal
11	Link
12	Handle Bolt
13	Lock Nut
14	Link Pin
15	Retaining C-Ring
16	Lock Pin
17	Spring Pin ($\Phi 10 \times 40$)
18	Roller Pin
19	Bender Pin
20	Roller
22	Grip
23	Retaining C-Ring
24	Seal
25	Tooth Lock Washer

Note : Parts No.9 and No.10 are completely assembled. Please order in a set when you replace it.

5/8" REBAR CUTTER WITH BENDER

MODEL NO.: SCB-16



No.	Parts	Qty	No.	Parts	Qty
1	Handle	1	20	Hex Nut (M20)	1
3	Jaw Blade (Long)	1	21	Cap Screw (M8x25)	2
4	Jaw Blade (Short)	1	22	Cap Screw (M8x45)	2
5	Arm	1	23	Hex Nut (M8)	2
6	Roller Pin	2	24	Spring Washer (#8)	2
7	Roller	2	25	Spring Pin (D10x30)	1
8	Frame	1	26	Retaining C-Ring (#22)	2
9	Base Handle	1	27	Retaining C-Ring (#20)	2
11	Handle Bolt	1	28	Retaining C-Ring (#15)	6
12	Link	2	29	Tooth Lock Washer (#20)	1
13	Lock Nut (M15)	1			
14	Jaw Bolt	1			
15	Half-Circle Washer	1			
16	Washer	1			
17	Collar	1			
18	Link Pin	3			
19	Grip	1			

For replacement blade, please ask for the Item No. SCBE-16 which contains;

- No. 3,
- No. 4,
- No. 14,
- No. 15,
- No. 20,
- No. 28,
- No. 29