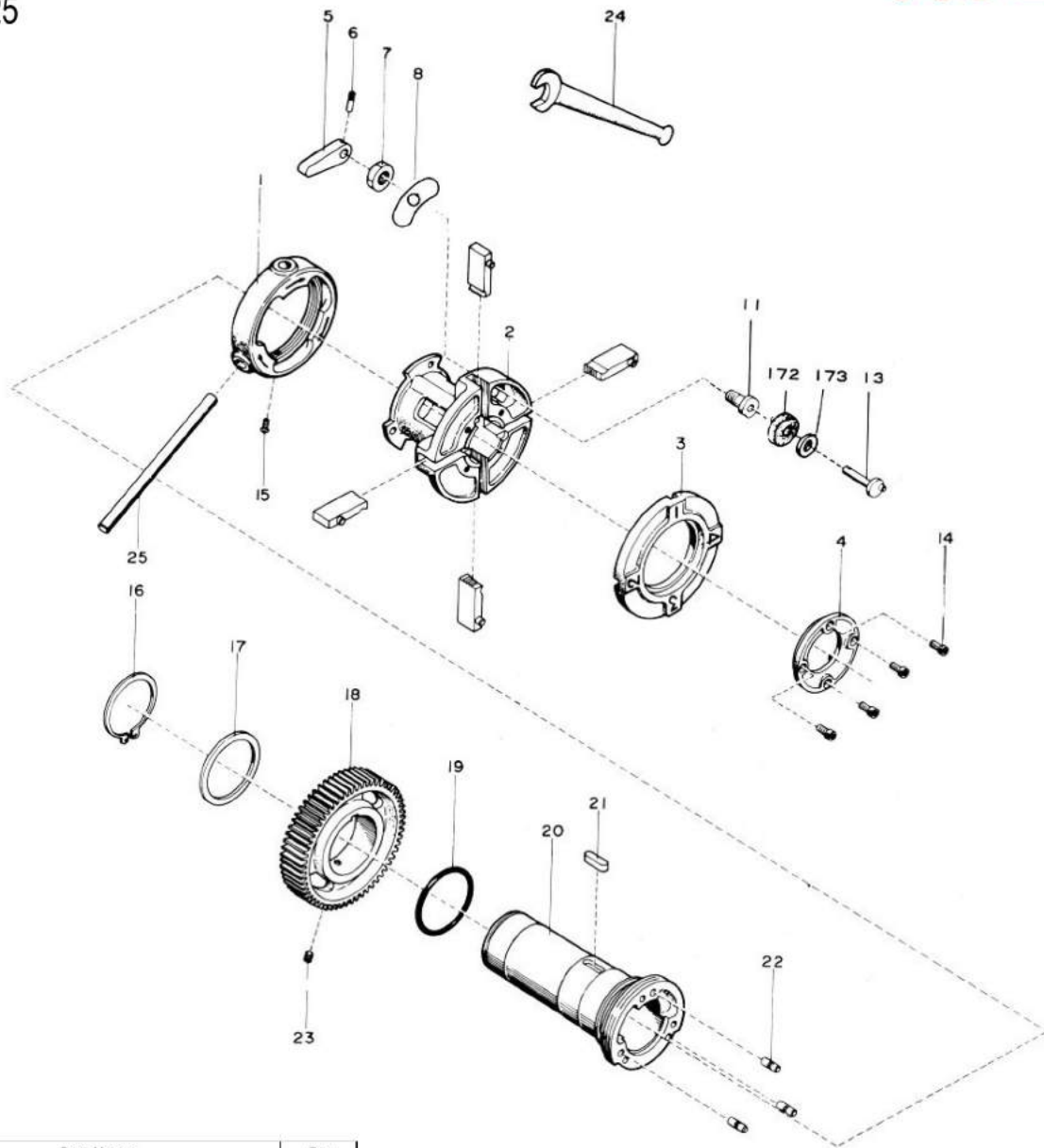


BOLT THREADING MACHINE

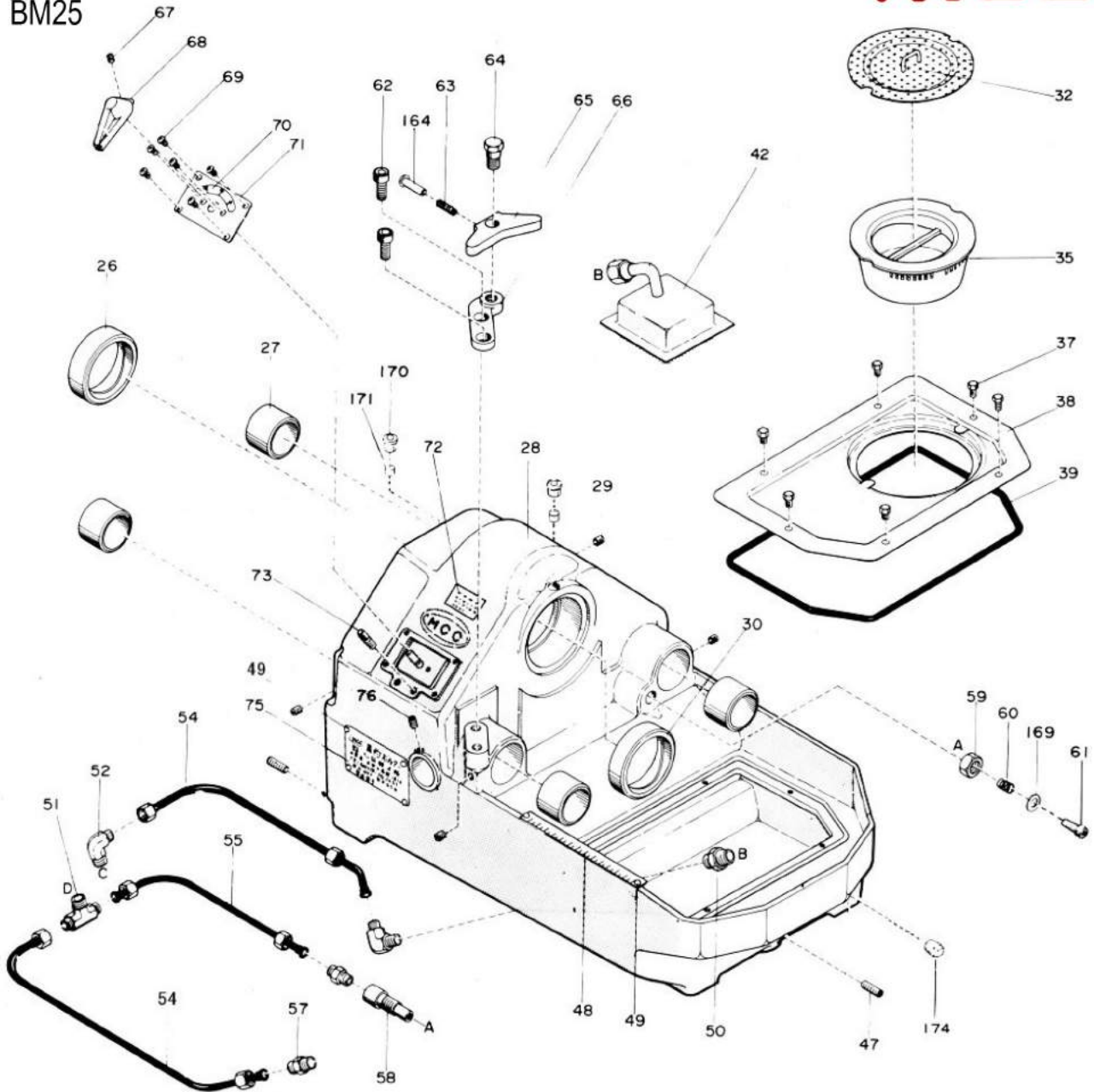
BM25



No.	Part Name	Qty
1	Holder for Die Head	1
2	Die Head W5/16 - W1 (M8 - M24)	1 set
3	Cam Plate	1
4	Retaining Ring	1
5	Cam Handle	1
6	Pin (for cam handle) (D3 x 18)	1
7	Hexagon Nut (M12)	1
8	Washer	1
9	Dies	1 set ea
11	Lock Screw	1
13	Cam Shaft	1
14	Cap Screw (M5 x 16)	4
15	Screw (M4 x 10)	1
16	Retaining Ring (P55)	1
17	Collar	1
18	Drive Shaft Gear	1
19	O-Ring (P58)	1
20	Drive Shaft	1
21	Key (3) (7 x 7 x 25)	1
22	Pin	3
23	Screw (M6 x 8)	1
24	Open End Wrench (for Die Head)	1
25	Release Ba for Die Head	1
172	Washer (rubber)	1
173	Fiber	1

BOLT THREADING MACHINE

BM25

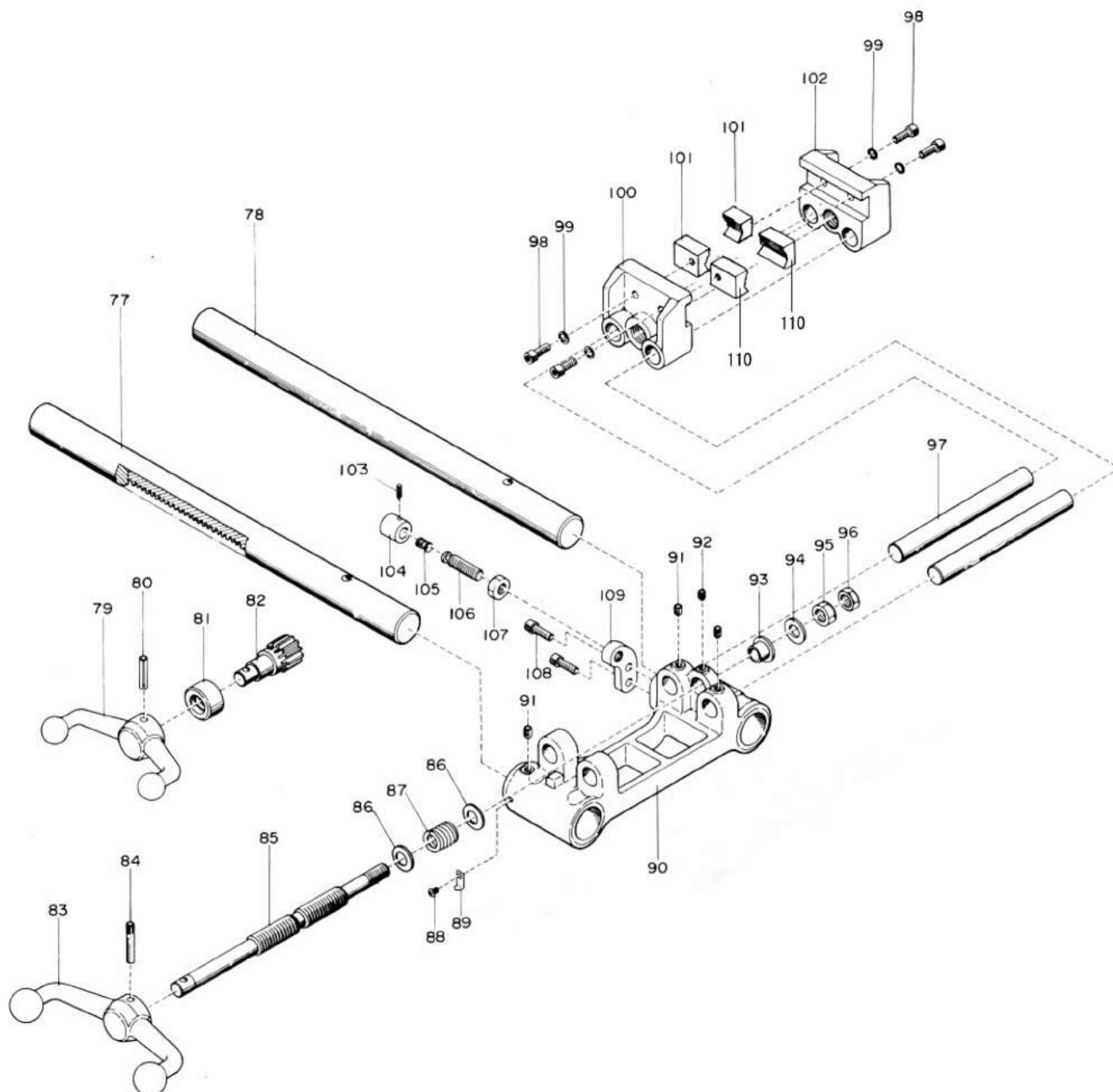


No.	Part Name	Qty
26	Oilless Bearing (rear)	1
27	Bearing (for support bar)	4
28	Main Body	1
29	Screw (M6 x 8)	4
30	Oilless Bearing (front)	1
32	Punching Plate	1
35	Sink Filter	1
37	Bolt (M5 x 8)	6
38	Chip Pan	1
39	Rubber Packing (D4 x 765)	1
42	Filter Set	1
47	Screw (M8 x 20)	3
48	Length Gauge	1
49	Stud (No.2 x 6.4)	6
50	Half Union (PF1/4 x D8)	1
51	Service-T (TIN1/4 x PT1/4)	1
52	Elbow Union (LIN1/4 x PT1/4)	2
54	Oil Feed Tube (1) (N2-1 x 250)	2
55	Oil Feed Tube (2) (N2-1 x 230)	1
57	Half Union (CIN1/4 x PT1/8)	2
58	Flow Controller	1
59	Hexagon Nut (M12)	1

No.	Part Name	Qty
60	Spring (2)	1
61	Cap Screw (M6 x 18)	1
62	Cap Screw (M8 x 14)	2
63	Spring (3)	1
64	Bolt (for lever)	1
65	Lever	1
66	Stay (for lever)	1
67	Screw (M6 x 6)	1
68	Lever (for switch)	1
69	Screw (M4 x 6)	6
70	Switch Plate	1
71	Base plate	1
72	Label (for caution)	1
73	Stopper	1
75	Name Plate	1
76	Screw (M6 x 8)	1
164	Rivet	1
169	Washer (No.6 S))	1
170	Ball Oil Cup (3/8)	2
171	Felt (D9.5 x 8)	2
174	Plug (1/2)	1

BOLT THREADING MACHINE

BM25

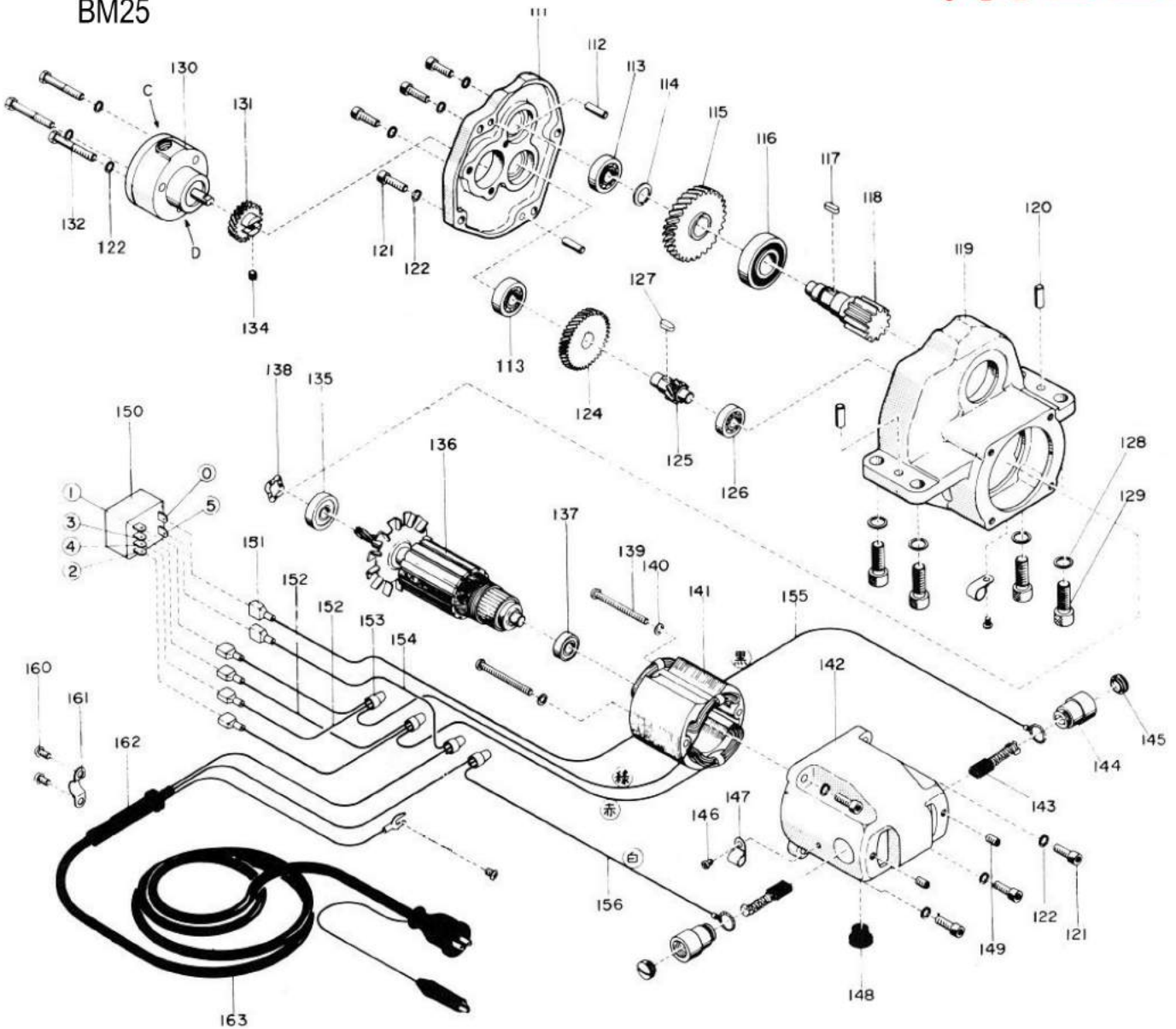


No.	Part Name	Qty
77	Support Bar (left)	1
78	Support Bar (right)	1
79	Feed Handle	1
80	Spring Pin (D6 x 32)	1
81	Bearing (for pinion)	1
82	Pinion (for rack)	1
83	Handle	1
84	Pin (for handle)	1
85	Feed Screw	1
86	Washer	2
87	Spring	1
88	Screw (M4 x 6)	1
89	Length Indicator	1
90	Carriage	1
91	Screw (M6 x 8)	5
92	Screw (M6 x 6)	5
93	Bush	1

No.	Part Name	Qty
94	Washer	1
95	Hexagon Nut (M12 for lock)	1
96	Hexagon Nut (M12)	1
97	Support Bar (for vise)	2
98	Cap Screw (M6 x 18)	4
99	Spring Washer (M6)	4
100	Vise Body (left)	1
101	Vise Jaw (front)	2
102	Vise Body (right)	1
103	Spring Pin (D2.5 x 6)	1
104	Cap	1
105	Spring (2)	1
106	Bolt (for self opening)	1
107	Hexagon Nut (M10)	1
108	Cap Screw (M8 x 14)	2
109	Stay	1
110	Vise Jaw (back)	2

BOLT THREADING MACHINE

BM25



No.	Part Name	Qty
111	Gear Box Cover	1
112	Pin (D6 x 22)	2
113	Ball Bearing (6201)	1
114	Retaining Ring (18)	1
115	Gear (2)	1
116	Ball Bearing (6304ZZ)	1
117	Key (1) (5 x 5 x 12)	1
118	Pinion (3)	1
119	Gear Box	1
120	Pin (D8 x 20)	2
121	Cap Screw (M6 x 25)	8
122	Spring Washer (M6)	8
124	Gear (1)	1
125	Pinion (2)	1
126	Ball Bearing (6000)	1
127	Key (2) (5 x 5 x 9.5)	1
128	Spring Washer (M10)	4
129	Cap Screw (M10 x 30)	4
130	Pump (IRA-1F)	1
131	Gear (for Pump)	1
132	Bolt (M6 x 50)	3
134	Screw (M6 x 6)	1
135	Ball Bearing (6200ZZ)	1
136	Armature (450W)	1
137	Ball Bearing (629ZZ)	1

No.	Part Name	Qty
138	Corrugated Washer	1
139	Screw (M5 x 70)	2
140	Spring Washer (M5)	2
141	Core Rotor (450W)	1
142	Motor Housing	1
143	Carbon Brush	2
144	Carbon Brush Holder	2
145	Cap	2
146	Screw (M4 x 6)	2
147	Cable holder	1
148	Rubber Bush (2)	6
149	Screw (M6 x 6)	4
150	Switch (SRB-423)	1
151	Terminal cover	6
152	Leading Wire (D0.65 x 60)	4
153	Terminal (EC-3)	2
154	Leading Wire (2 mm ² x 470)	1
155	Leading Wire (for Brush, black)	2
156	Leading Wire (for Brush, white)	1
160	Screw (M6 x 10)	2
161	Cabtyer Saddle	1
162	Rubber Bush (1)	1
163	Cabtyer Cable	1
165	Bolt (M6 x 15)	2
166	Hexagon Nut (M6)	2