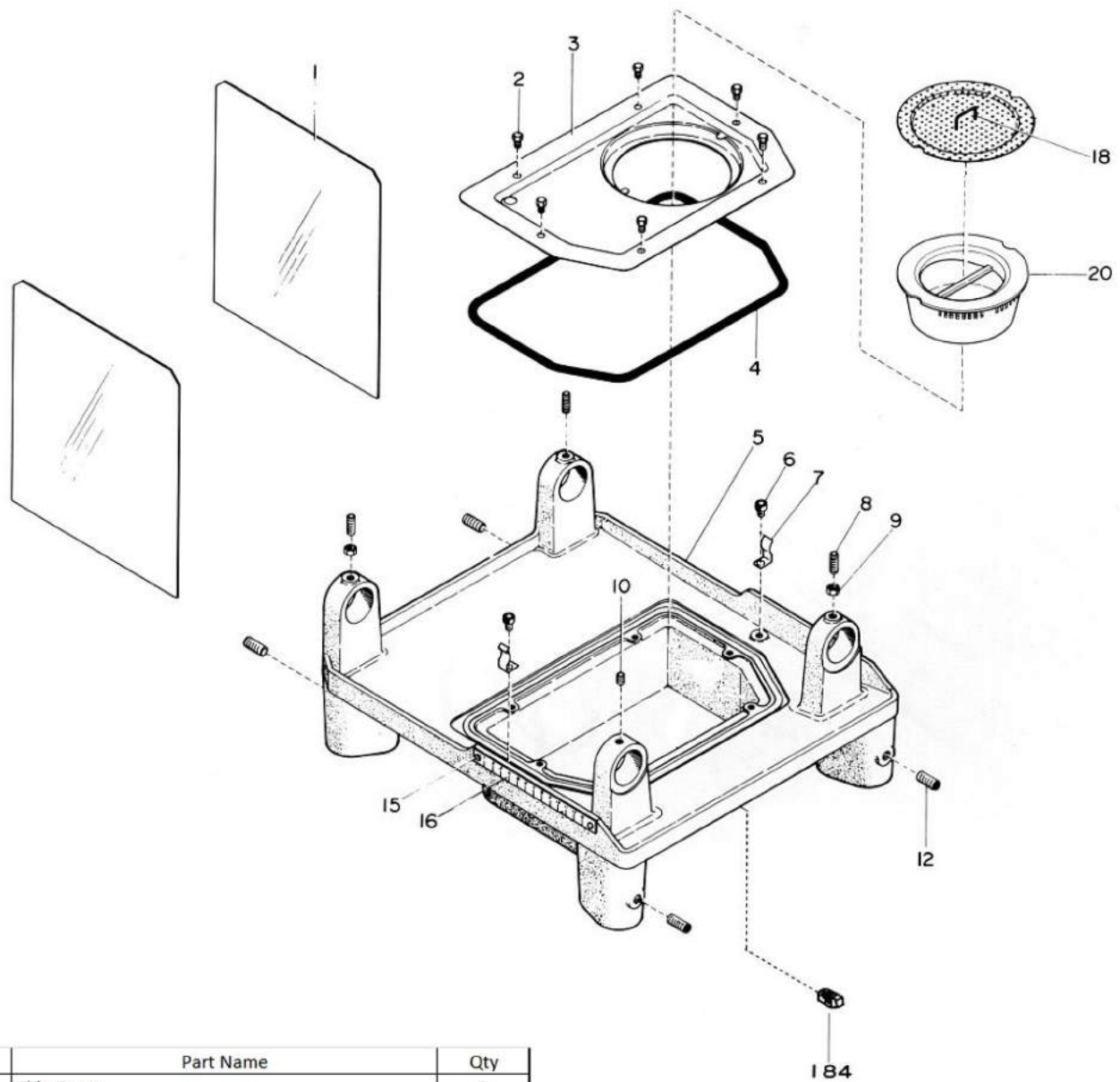


CONDUIT PIPE THREADING MACHINE

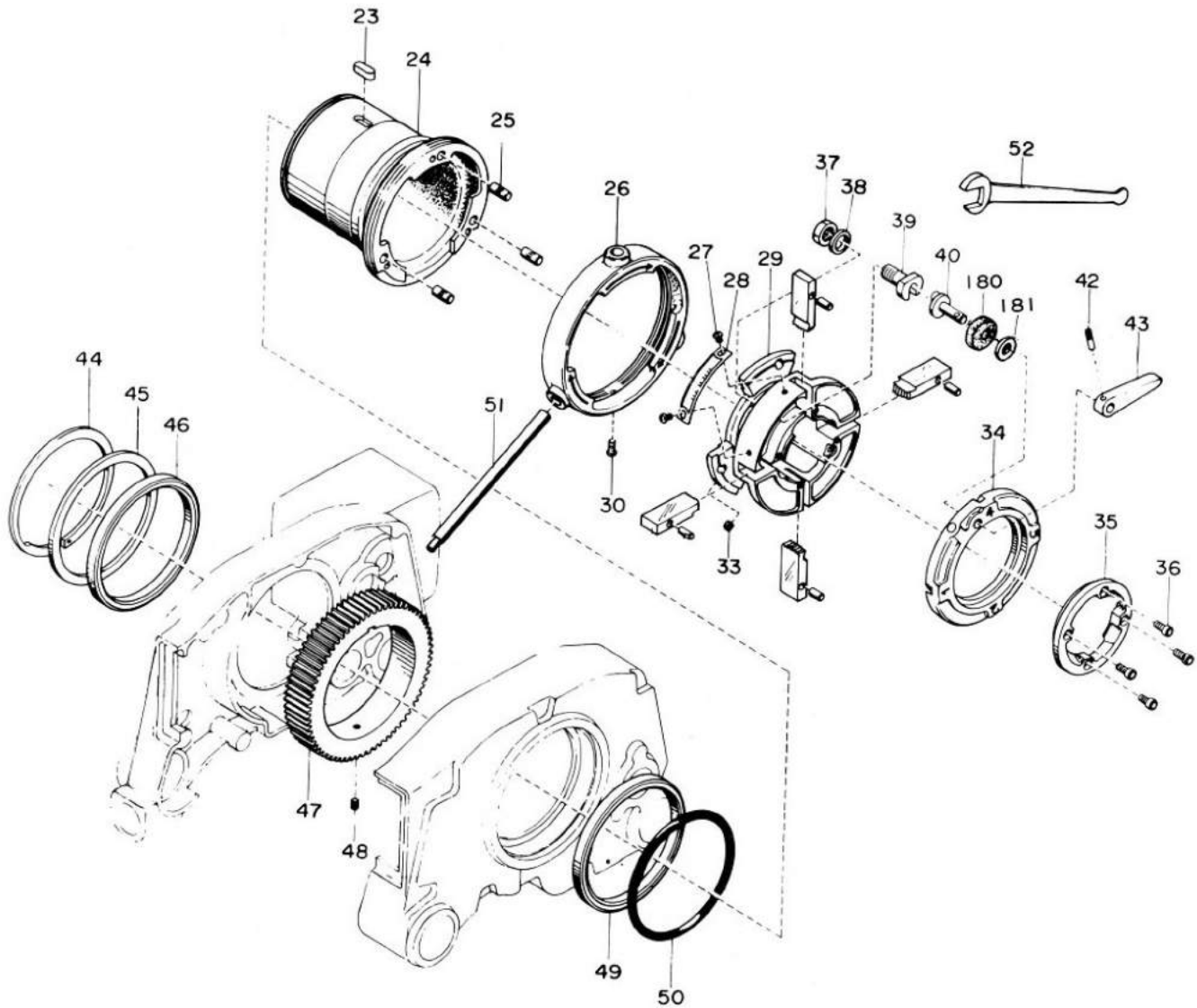
CM82



No.	Part Name	Qty
1	Chip Cover	2
2	Hex Bolt (M5 x 8)	6
3	Chip Pan	1
4	Rubber Packing ($\phi 4 \times 765$)	1
5	Main Body	1
6	Cap Screw (M5 x 8)	2
7	Chip Cover Clamp Support	2
8	Screw (M16 x 18)	2
9	Hexagon Nut (M6)	2
10	Screw (M6 x 8)	2
12	Screw (M8 x 20)	4
15	Stud ($\phi 2 \times 6.4$)	2
16	Length Gauge	1
18	Punching Plate	1
20	Sink Filter	1
184	Plug (PT1/2)	1

CONDUIT PIPE THREADING MACHINE

CM82

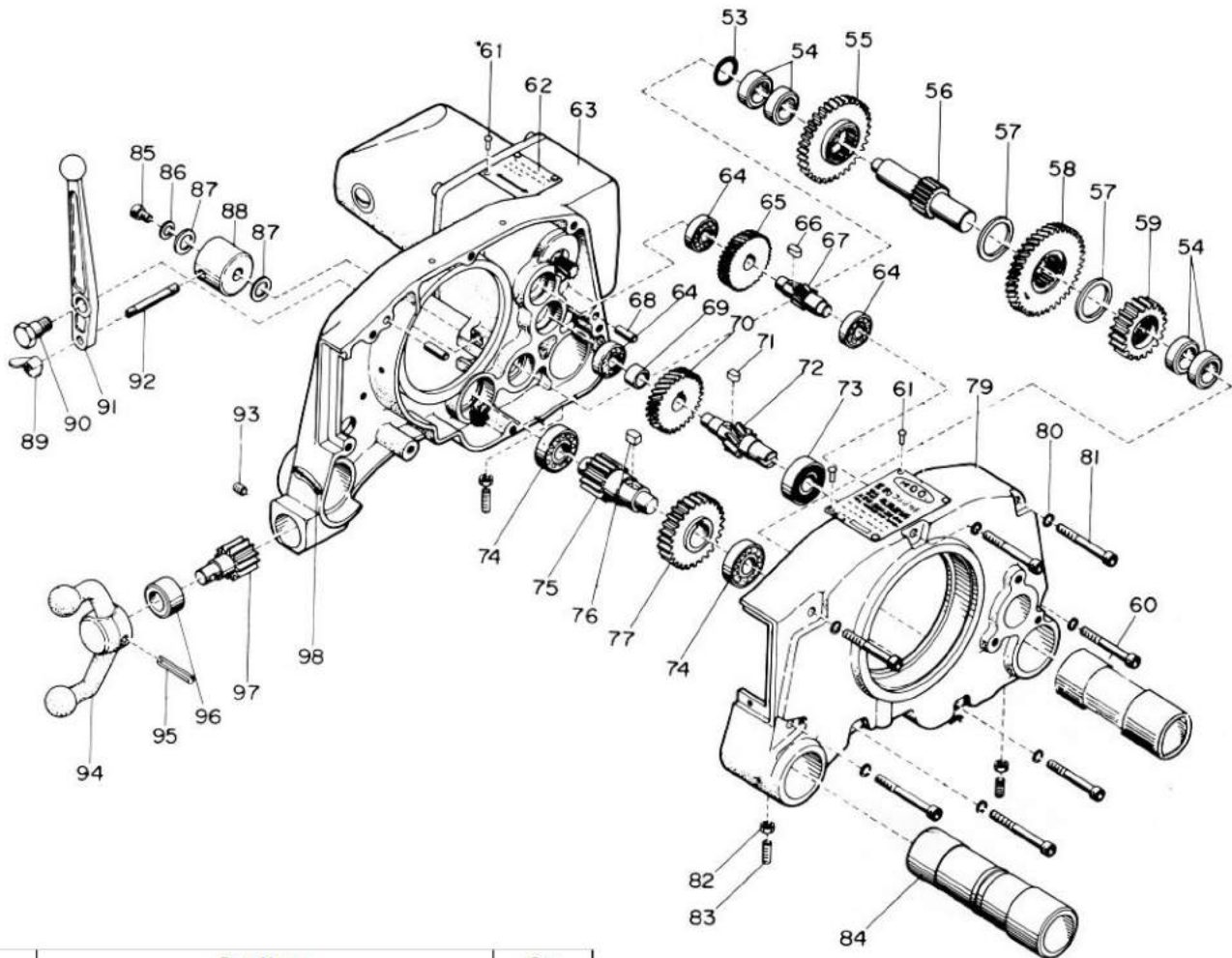


No.	Part Name	Qty
23	Key (4) (7 x 7 x 20)	1
24	Drive Shaft	1
25	Pin	3
26	Holder for Die Head	1
27	Screw (M4 x 6)	2 x 2
28	Size Gauge for Die Head (A)	1
	Size Gauge for Die Head (B)	1
29	Die Head (A) PF1/2 ~ 1.1/2, C15 ~ 51	1
	Die Head (B) PF2 ~ 3, C63 ~ 75	1
30	Screw (M4 x 10)	1
33	Vinyl Cap	1 x 2
34	Cam Plate for Die Head (A)	1
	Cam Plate for Die Head (B)	1
35	Retaining Ring for Die Head (A)	1
	Retaining Ring for Die Head (B)	1
36	Cap Screw (M5 x 16)	4 x 2
37	Hexagon Nut	1 x 2

No.	Part Name	Qty
38	Washer	1 x 2
39	Lock Screw	1 x 2
40	Cam Shaft	1 x 2
42	Pin (for Cam Handle) $\phi 3 \times 18$	1 x 2
43	Cam Handle for Die Head (A)	1
	Cam Handle for Die Head (B)	1
44	Retaining Ring (P105)	1
45	Collar	1
46	Oilless Bearing (rear)	1
47	Drive Shaft Gear	1
48	Cap Screw (M5 x 6)	2
49	Oilless Bearing (Front)	1
50	O-Ring (P105)	1
51	Release Bar for Die Head	1
52	Open End Wrench (for Die Head)	1
180	Washer (rubber)	1 x 2
181	Fiber	1 x 2

CONDUIT PIPE THREADING MACHINE

CM82

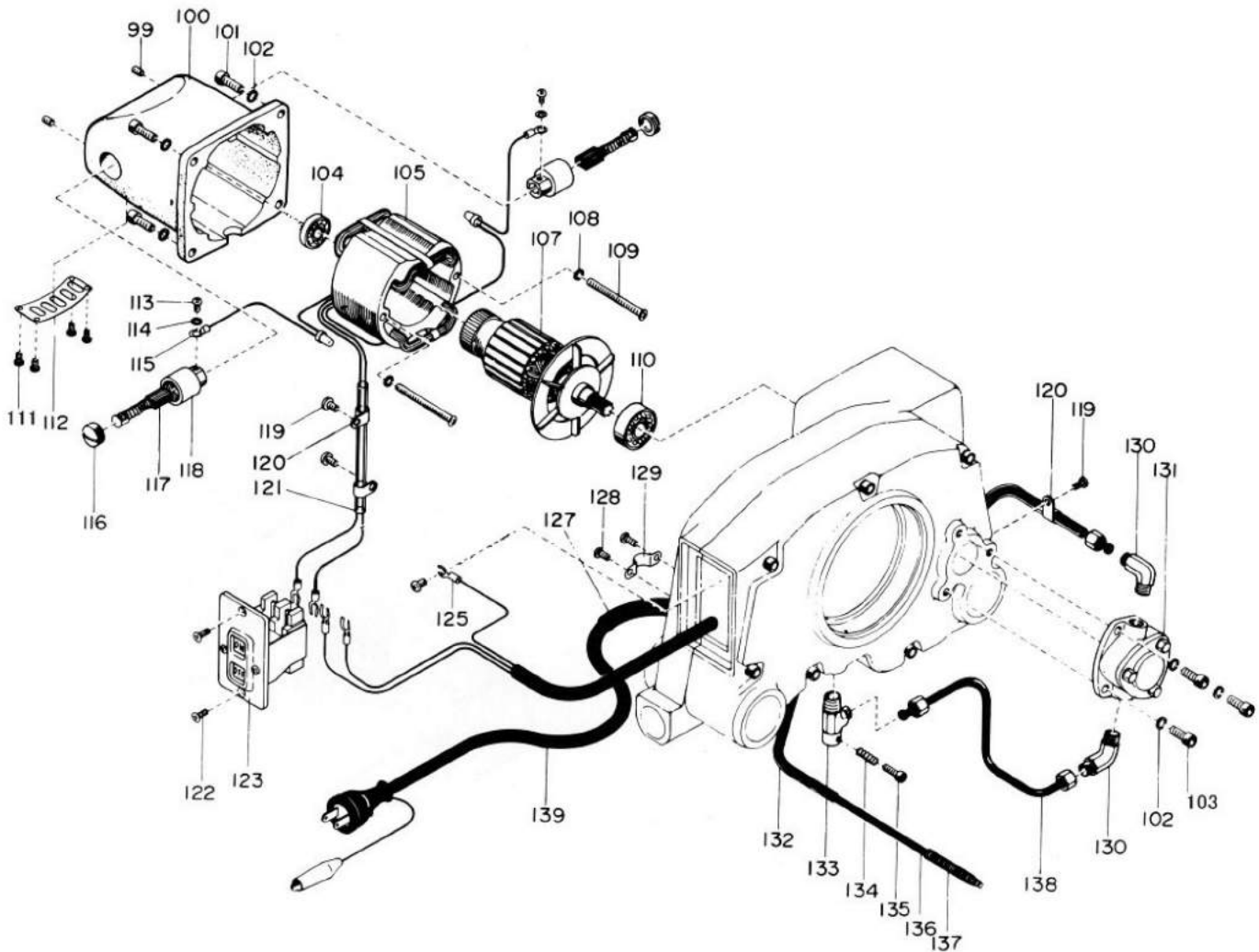


No.	Part Name	Qty
53	O-Ring (P18)	1
54	Spline Bearing	4
55	Gear (6)	1
56	Spline Shaft	1
57	Thrust Washer	2
58	Gear (3)	1
59	Pinion (4)	1
60	Bearing (Right) (for Support Bar)	1
61	Stud (No. 6 x 6.4)	4
62	Name Plate	1
63	Gear Box (Rear)	1
64	Ball Bearing (6000)	3
65	Gear (1)	1
66	Key (1) (5 x 5 x 9.5)	1
67	Pinion (2)	1
68	Pin (B6 x 24)	2
69	Collar	1
70	Gear (2)	1
71	Key (2) (5 x 5 x 9.0)	1
72	Pinion (3)	1
73	Ball Bearing (6202ZZ)	1
74	Ball Bearing (6202)	2
75	Pinion (5)	1
76	Key (3) (7 x 7 x 14)	1
77	Gear (4)	1

No.	Part Name	Qty
79	Gear Box (Front)	1
80	Spring Washer (M6)	7
81	Cap Screw (M6 x 60)	7
82	Hexagon Nut (M6)	2
83	Screw (M6 x 18)	2
84	Bearing (Left) (for Support Bar)	1
85	Cap Screw (M6 x 10)	1
86	Washer	1
87	Washer	2
88	Change Collar	1
89	Wing Nut (M6)	1
90	Bolt (for Lever)	1
91	Change Lever	1
92	Screw	1
93	Screw (M6 x 18)	1
94	Feed Handle	1
95	Spring Pin (φ6 x 32)	1
96	Bearing (for Pinion)	1
97	Pinion (for Rack)	1
98	Seal	1
	Oil Feeder	2
	Felt (φ9.5 x 8)	2
	Warning Plate	1
	Stud (2 x 6.4)	4

CONDUIT PIPE THREADING MACHINE

CM82

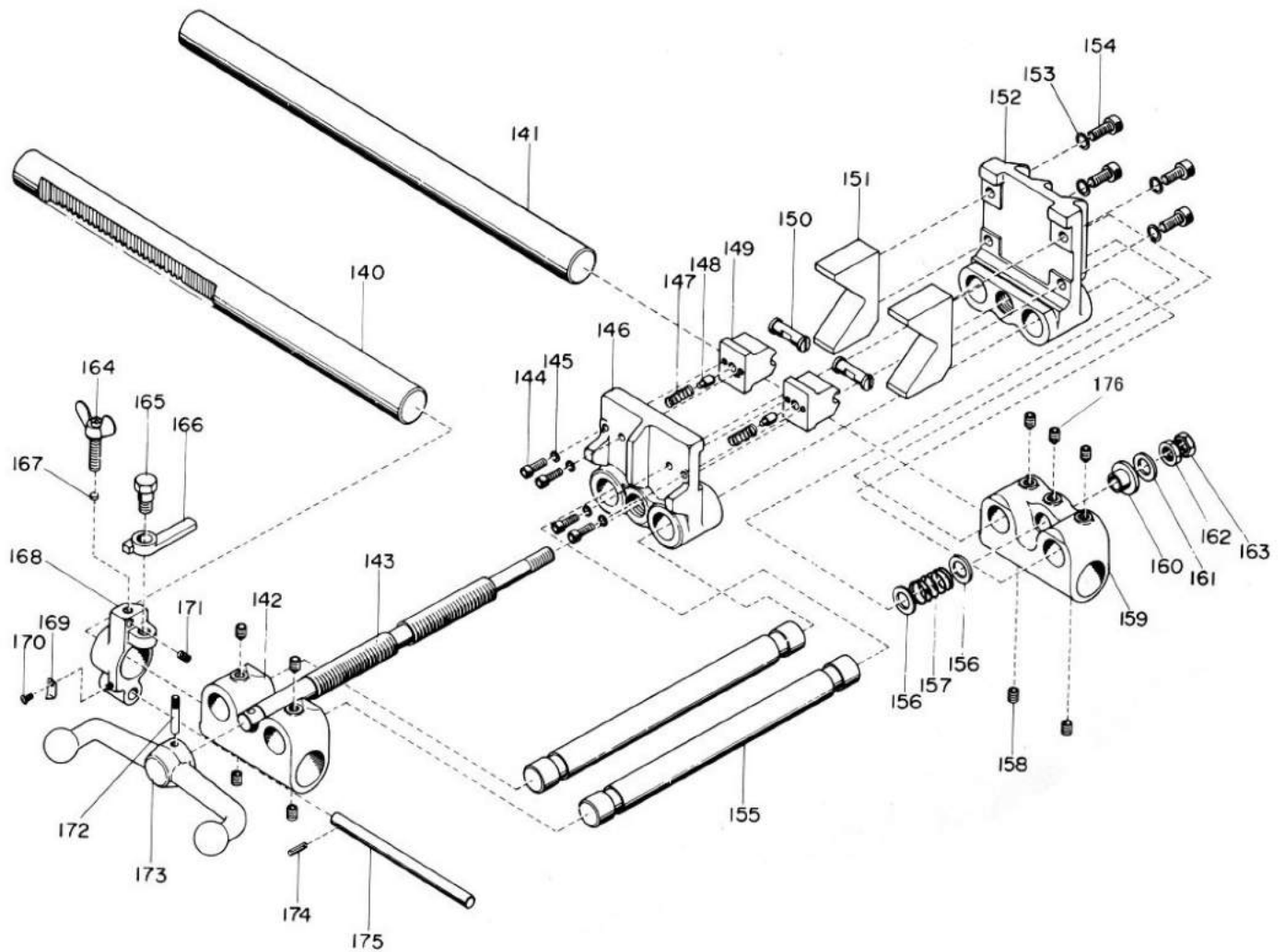


No.	Part Name	Qty
99	Screw (M6 x 8)	2
100	Motor Housing	1
101	Cap Screw (M6 x 22)	4
102	Spring Washer (for M6)	7
103	Cap Screw (M6 x 18)	3
104	Ball Bearing (6200ZZNC)	1
105	Core Roor (750W)	1
107	Armature (750 W)	1
108	Spring Washer (for M5)	2
109	Screw (M5 x 80)	2
110	Ball Bearing (6202ZZNC)	1
111	Screw (M3 x 6)	4
112	Motor Rear Cover	1
116	Cap	2
117	Carbon Brush	2
118	Carbon Brush Holder	2
119	Screw (M4 x 16)	3
120	Hose Fixer	3
121	Vinyl Hose (φ10 x 1.0 x 300)	1

No.	Part Name	Qty
122	Screw (M4 x 8)	2
123	Switch (BEH2-15-2)	1
125	Open Pressed Terminal (2-4S)	5
127	Rubber Bush (1)	1
128	Screw (M6 x 10)	2
129	Cabtyer Saddle	1
130	Elbow Union (LIN 1/4 x PT1/8)	2
131	Pump (TOP-11A)	1
132	Vinyl Hose (φ10 x 1.0 x 450)	1
133	Special Connector	1
134	Spring (2)	1
135	Cap Screw (M5 x 16)	1
136	Oil Feed Tube (1) (As1 70-1/4 x 640)	1
137	Spring Filter	1
138	Oil Feed Tube (2) (As1 70-1/4 x 115)	1
139	Cabtyer Cable	1
	Packing for Switch	1
	Plate for Switch	1

CONDUIT PIPE THREADING MACHINE

CM82



No.	Part Name	Qty
140	Support Bar (Left)	1
141	Support Bar (Right)	1
142	Vise Support (Left)	1
143	Feed Screw	1
144	Cap Screw (M6 x 22)	4
145	Spring Washer (M6)	4
146	Vise Body (Left)	1
147	Spring	2
148	Pin	2
149	Jaw Body	2
150	Insert Jaw	2
151	Vise Jaw	2
152	Vise Body (Right)	1
153	Spring Washer (M8)	4
154	Cap Screw (M8 x 25)	4
155	Support Bar (for Vise)	2
156	Washer	2
157	Spring	1
158	Screw (M8 x 8)	4

No.	Part Name	Qty
159	Vise Support (Right)	1
160	Bush	1
161	Washer	1
162	Hexagon Nut (M12 for Lock)	1
163	Hexagon Nut (M12 for Lock)	1
164	Wing Screw	1
165	Bolt (for Lever)	1
166	Lever	1
167	Washer (for Support Bar)	1
168	Lever Bracket	1
169	Length Indicator	1
170	Screw (M4 x 6)	1
171	Spring	1
172	Pin (for Handle)	1
173	Handle	1
174	Spring Pin ($\phi 3 \times 18$)	1
175	Guide Shaft	1
176	Screw (M8 x 8)	5